

NPI Name: Large bird box

NPI Code: BBL

NPI Payment: Year 1: £15 per box

NPI Aim(s): To facilitate remedial management of EFS(H) sites and provide breeding opportunities for the declining native bird population.

Scheme Applicability: Wider – EFS(W) Higher – EFS(H) Group – EFS(G)

This NPI is: Permanent Rotational

NPI Description and Outcome: 'Large bird boxes' are eligible where they will maintain and enhance the biodiversity value of EFS(H) sites and are included in the site specific Remedial Management Plan (ssRMP). 'Large bird boxes' will provide nesting sites for the declining bird population and facilitate implementation of the ssRMP.

Number Permitted: Minimum 1 Maximum Not Applicable*

*DAERA reserves the right to limit a Higher Level agreement value where it considers appropriate to ensure value for money.

Requirements and Controls:

Code	Non-productive investment requirements (capital works)	Control type ¹		
		Admin	CwRS	OTSC
BBL1C	All 'Large bird boxes' must be erected by the end of Year 1.	✓		✓
BBL2C	New 'Large bird boxes' must be used.	✓		✓
BBL3C	The claimed number of 'Large bird boxes' must be erected in the field(s) where they have been approved.	✓		✓
BBL4C	The claimed number of 'Large bird boxes' must be erected to the Specification outlined below.			✓
BBL5C	Field records must be kept detailing Integrated Pest Management (IPM) requirements, location, number and date erected for each 'Large bird box'.	✓		✓

¹ The possible control types for each requirement may be:

'Admin' – administrative checks, 'CwRS' – Control with Remote Sensing, 'OTSC' – On-the-Spot Check

Specification:

The 'Large bird box' must:

- be constructed according to the dimensions in the diagram below;
- have an entrance hole at least 200 mm from the floor;
- have a rectangular entrance hole at least 150 mm long and 100 mm wide; and
- be erected and maintained as detailed in the ssRMP, for EFS(H) sites.

Further Advice:

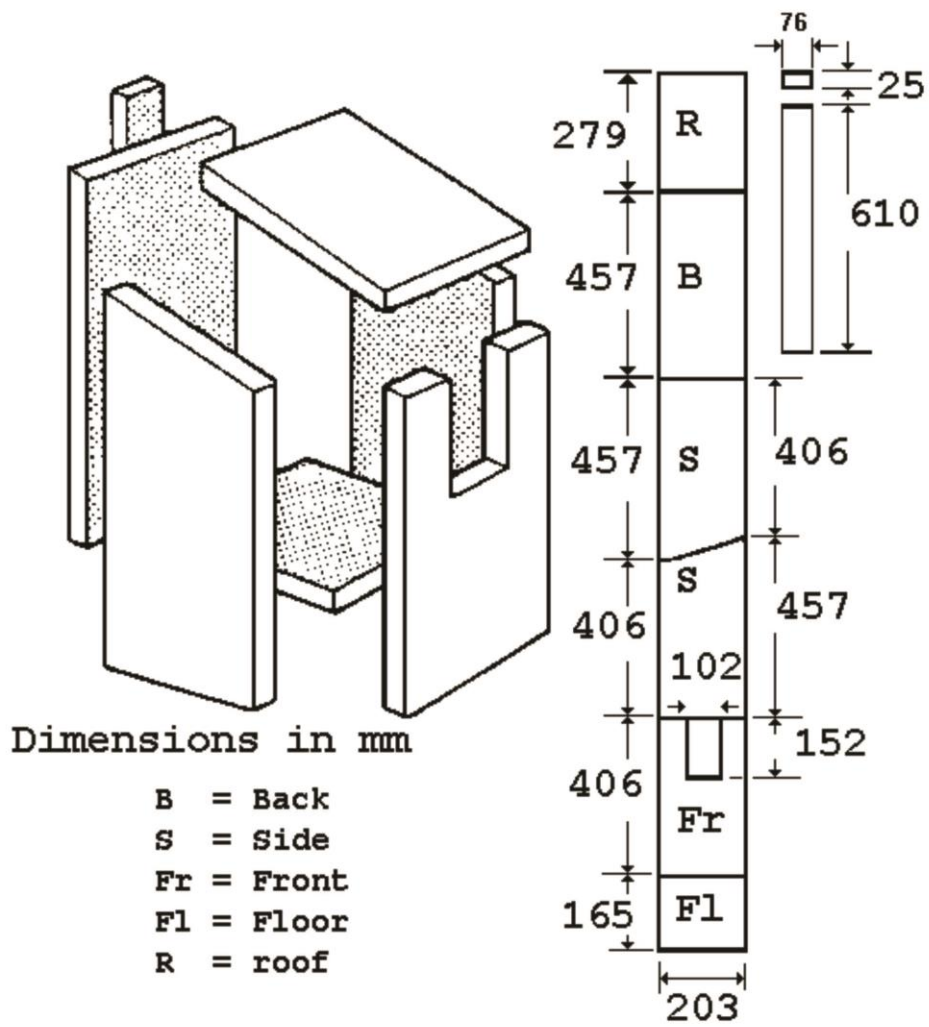
A drainage hole must be drilled in the base.

Do not attach 'Large bird boxes' to electricity poles.

The inside front surface should be rough to allow young birds to clamber up.

Only apply wood preservative to the outside of the 'Large bird boxes'.

'Large bird boxes' should be attached to a tree two - five metres from the ground preferably facing between north and south east. When securing to a tree, use a strap made with wire and hose or rubber to minimise damage to the tree.



Large bird nest box